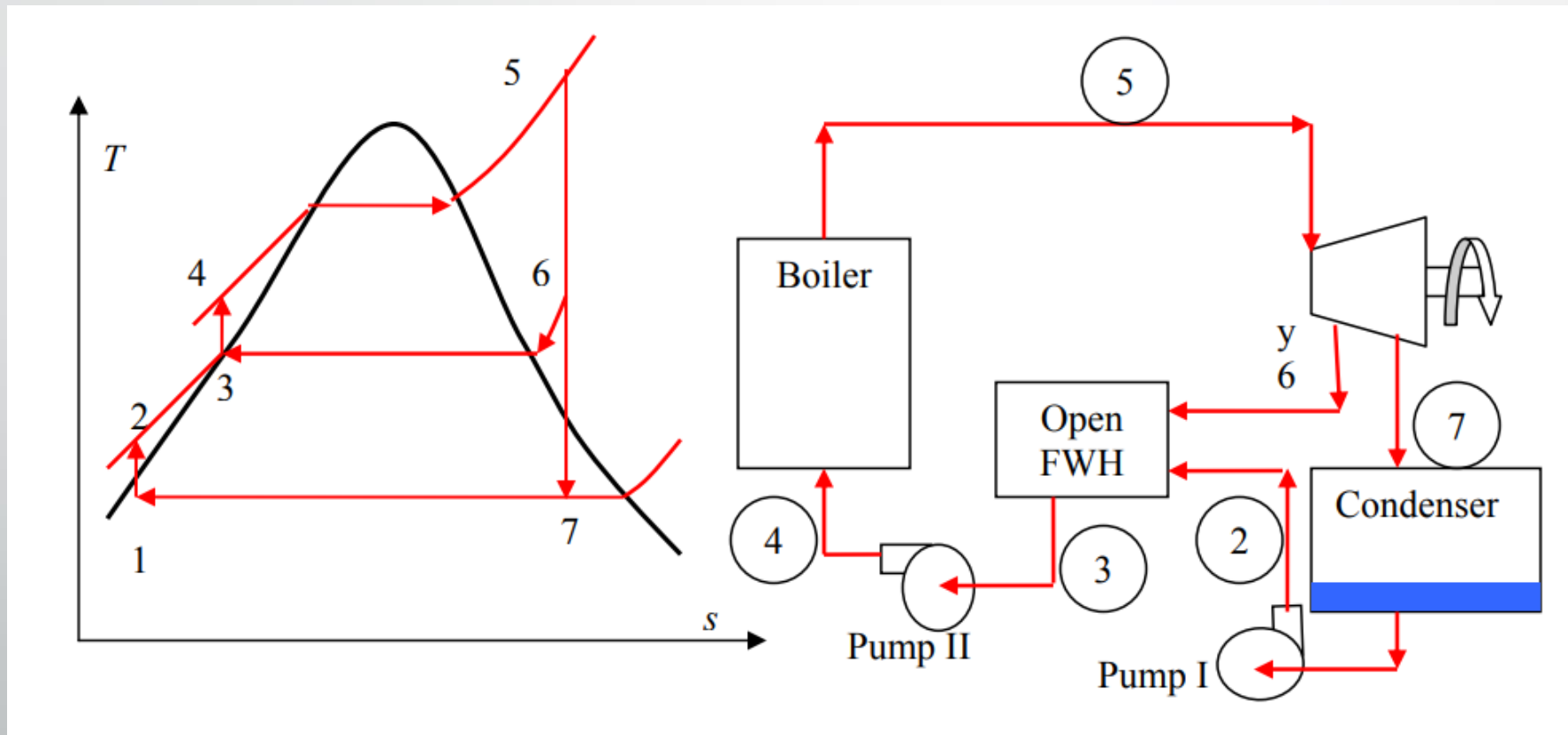


# ***Open and Closed Feed Water Heaters***

***Dr.Sudhakaran,  
Professor & Head,  
Mechanical Engg,  
SNS College of Engineering***

# Open Feed Water Heaters



## Closed Feed Water Heaters

