

Topic Name: Introduction to FACTS

Duration: 10 Mins

No. of Questions : 04

1. Write the full for "FACTS"-

.....

K-2

2. List out the needs for FACTS in AC Line

1. _____

2. _____

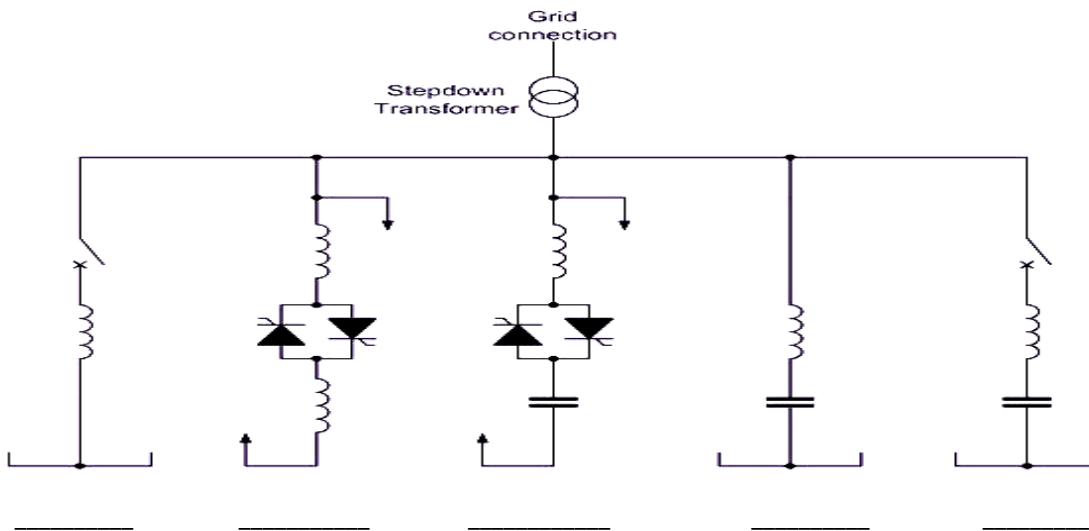
3. _____

4. _____

5. _____

K-2

3. Identify the Devices given below



K-2