



SNS COLLEGE OF ENGINEERING

Kurumbapalayam (Po), Coimbatore – 641 107

AN AUTONOMOUS INSTITUTION

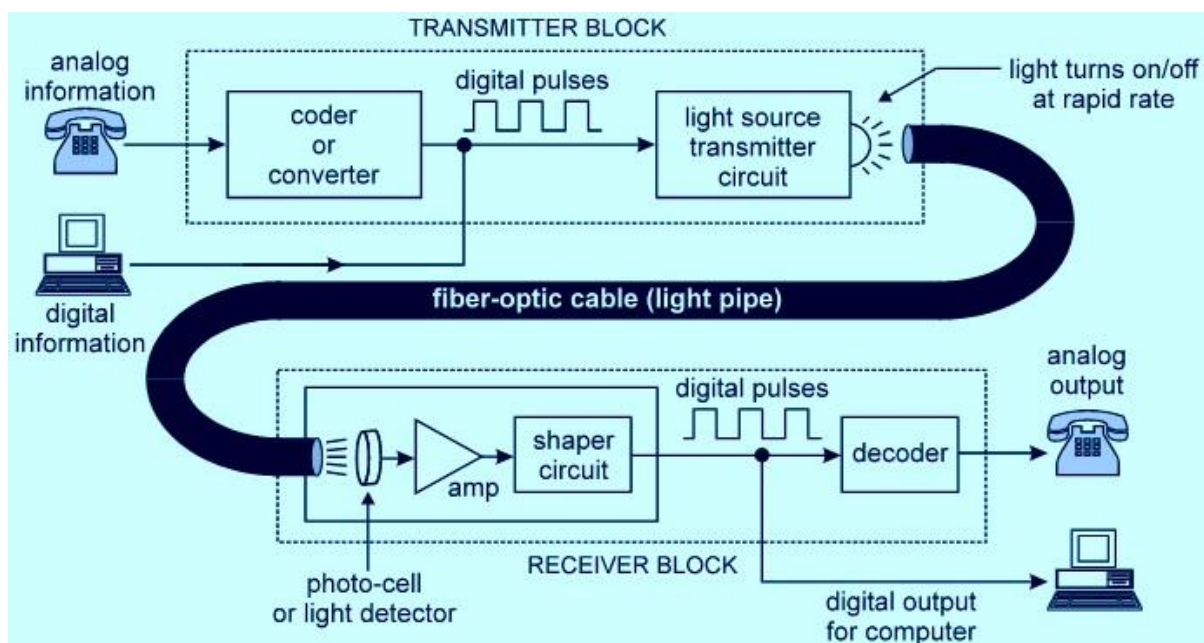


Approved by AICTE, New Delhi & Affiliated to Anna University, Chennai

Unit - II

Explain the terms

Topic : Fibre Optic Communication System



Answer:

1. Transmitter Block :

2. Receiver Block: